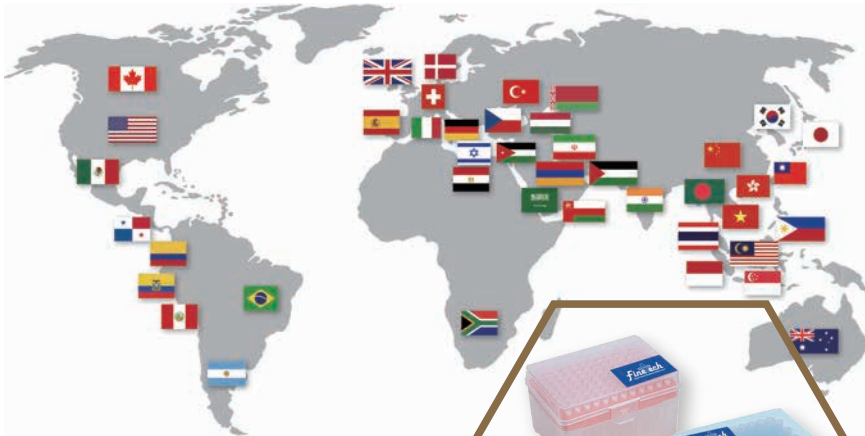
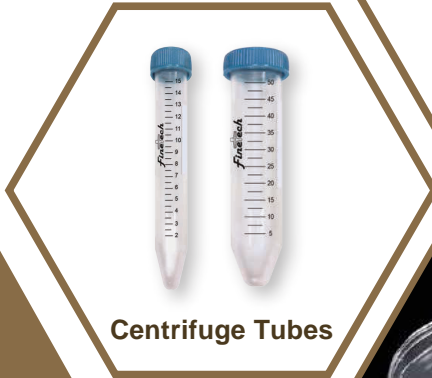
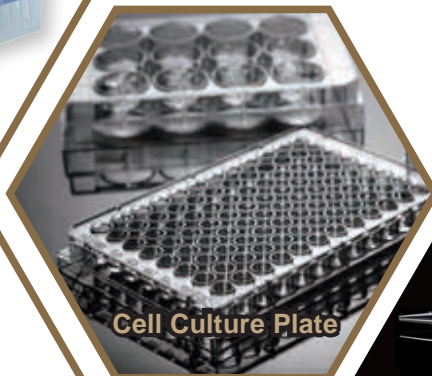


Cell Culture Series



- Sterile Syringe filter
- Bottle Top Filter
- Cell Culture Dish
- Cell Culture Plate
- Cell Culture Flask
- Sterile Centrifuge Tube
- Pipette Filter Tips
- Sterile Serological Pipette



VISIT US

 www.finetech-filters.com

ABOUT US

Constantly researching and innovating...

Finetech Research and Innovation Corporation was established in 1999 and has been engaged in the gas and fluid filtration used in laboratories and the medical fields for many years. We concentrate on the researching, developing, and manufacturing of lab filters such as syringe filters, 50mm air/vent filters, pipette filters, gas analyzer filters, and customized filters.

In 2004, we were the first manufacturer of transducer protectors used in dialysis. In 2017, sales of transducer protectors had reached to over 30 million pieces/year. Our high quality and ISO 13485 certified transducer protectors has kept our customers satisfied for more than 14 years.

Manufactured in 2010, our syringe filter is designed to provide efficient filtration of aqueous and organic solutions. It can be used to remove particles from a sample prior to analysis by HPLC, for the filtration of gases, and for the removal of bacteria from a sample. Syringe filters are widely used in environmental, pharmaceutical, biotechnology, and agricultural testing laboratories.

In 2015, Finetech designed and manufactured caps, septa, and samples vials used in chromatography. We supply HPLC consumables to the global chromatography community in over 36 countries. We constantly innovate with releases of new lab consumables and medical devices every year. Some of the other products we manufacture are sterile syringe filter, membrane filters, centrifuge tube, glass microfiber filters, vacuum filtration system, and QuEChERS. To find out more, please visit our website [“www.finetech-filters.com”](http://www.finetech-filters.com).

History

- 2021 Developed Racked Filters Tips, PCR Supplies
- 2020 Produced Disposable Medical Masks
- 2019 Produced Bottle Top Filter Unit
- 2018 Researched and developed QuEChERS
- 2017 Produced 15mL & 50mL centrifuge tubes (sterile & non-sterile)
- 2016 New product launched – sterile filtration cup
- 2015 Achieved ISO 9001. Received award of Conventional Industry Technology Development for Medical grade septa
- 2014 Started producing sterile syringe filters
- 2012 Produced the 1st 50mm air vent filters
- 2010 Produced the 1st syringe filters manufactured in a cleanroom
- 2008 Developed transducer protectors. 1st manufacturer in Asia
- 2005 Awarded the Medical Device award from Taiwan Government
- 1999 Finetech Research and Innovation Corporation established



Taiwan Factory



China Office



Vietnam 1st factory



New factory under construction in Vietnam

Product Timeline



1999

Finetech Research and Innovation Corporation established.



2008

Developed autoclavable transducer protector.



2012

Produced the first 50mm air/vent filters in Taiwan.



2015

Started production of vials for chromatography and environmental analysis. Achieved ISO 9001. Received award of Conventional Industry Technology Development for the medical grade septa.



2016

New product launched – sterile filtration cup.



2018

Researched and developed QuEChERS kit.



2020

Disposable Medical Masks

2004

Developed transducer protectors. Was the first manufacturer in Asia.



2010

Produced the first syringe filters manufactured in a cleanroom in Taiwan. (PureTech)



2014

Started producing sterile syringe filters.



2015

Vacuum Pump & Vacuum Filtration System (Stainless Steel manifold)



2017

Produced 15mL & 50mL centrifuge tubes (sterile & non-sterile)



2019

Bottle Top Filter Unit
High flow rate
Large filtration area
DNase/RNase and pyrogen free.



2021

Rack Filter Tips & PCR Supplies



Contents

- A. Finetech[®] Sterile Syringe filter04**
- B. Finetech[®] Bottle Top Filter05**
- C. Finetech[®] Cell Culture Plate.....06**
- D. Finetech[®] Cell Culture Flask07**
- E. Finetech[®] Cell Culture Dish.....08**
- F. Finetech[®] Sterile Centrifuge Tube09**
- G. Finetech[®] Pipette Filter Tips11**
- H. Finetech[®] Sterile Serological Pipette13**

A. Finetech® Sterile Syringe filter



13mm

- Housing material: Medical grade polypropylene
- Pore Size: 0.22um, 0.45um
- Outside diameter: 17mm
- Membrane diameter: 13mm
- High flow rate and throughput
- Low hold-up volume (less than 25µL)
- Low extractables
- Individual sterile blister pack



33mm

- Housing material: Medical grade polypropylene
- Pore Size: 0.22um, 0.45um
- Outside diameter: 33mm
- Membrane diameter: 25mm
- High flow rate and throughput
- Low hold-up volume (less than 100µL)
- Low extractables
- Individual sterile blister pack

❖ Ordering Information

① Membrane		② Diameter	③ Sterile	④ Pore size	⑤ Membrane characteristics	
PVDF PTFE Nylon MCE	CA PES RC GF	017=13mm 033=33mm	N (Non-Sterile) S (EO/GAMMA)	022=0.22µm 045=0.45µm	I = hydrophilic O = hydrophobic	
13mm: 100pcs/pk 33mm: 100pcs/pk						
Example: <u>PVDF</u> <u>033</u> <u>S</u> <u>022</u> <u>I</u> = 33mm, PVDF membrane, Sterile, 0.22um						
		①	②	③	④	⑤

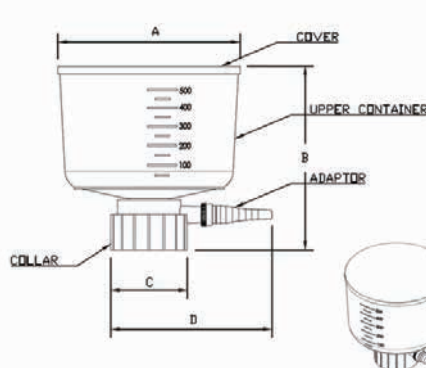


B. Finetech® Bottle Top Filter

❖ Features



- Manufactured from virgin Polystyrene.
- Tissue culture treated surface to aid in cell attachment.
- Walls have even thickness and no distortion.
- Wide design increases stability when stacked.
- Quick opening cap.
- Angled bottleneck, convenient for pipettes and cell scraping.
- Frosted write-on spot.
- Clear graduation scale.



PORE SIZE(um)	0.22	
UPPER CAP(ml)	500	
BOTTLE NECK SIZE	45mm	
MEMBRANE COLOR	WHITE	
MEMBRANE DIA(mm)	90	
	INCHES	MM
A	4.45	113
B	4.49	114
C	1.886	47.9
D	3.937	100
NDM.WT.(gms)	75	

MATERIALS	
COVER	BLUE LDPE
UPPER CONTAINER	PS
ADAPTOR	WHITE ABS
COLLAR	BLUE PE

❖ Ordering Information

	Membrane	Diameter	Pore Size	Description	Packaging
FC-PVDF500G022I-90	PVDF	90mm	0.22um	Sterile Bottle Top Vacuum Filter Funnel Capacity: 500ml Individually Packed	12pcs/CTN
FC-PVDF500G045I-90	PVDF	90mm	0.45um	Sterile Bottle Top Vacuum Filter Funnel Capacity: 500ml Individually Packed	12pcs/CTN
FC-PES500G022I-90	PES	90mm	0.22um	Sterile Bottle Top Vacuum Filter Funnel Capacity: 500ml Individually Packed	12pcs/CTN
FC-PES500G045I-90	PES	90mm	0.45um	Sterile Bottle Top Vacuum Filter Funnel Capacity: 500ml Individually Packed	12pcs/CTN

C. Finetech[®] Cell Culture Plate



❖ Features

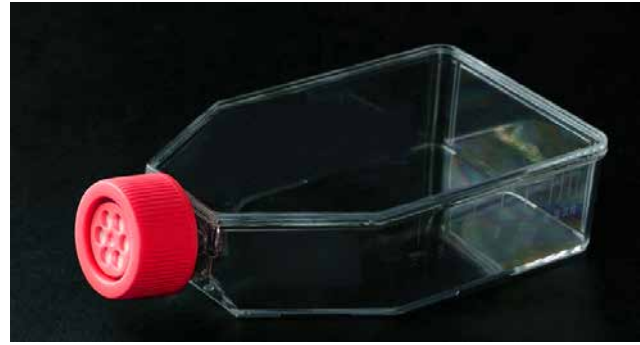
- Available in 6, 12, 24, 48, 96 well plates.
- Manufactured from virgin Polystyrene.
- Tissue culture treated surface to aid in cell attachment.
- Tight fitting cover prevents contamination and loss by evaporation.
- One-way cover reduces errors.
- Alphanumeric labels for easy organization.
- Stack-able to save space.
- E-Beam sterilization.
- DNase/RNase-free and non-pyrogenic.

❖ Ordering Information

Model No.	Number of Wells	Bottom	Cell Growth Area	Recommended Volume	Sterile	Packaging
CCWP6-S	6	Flat	9.5 cm ²	1.9-2.9 mL	Yes	50pcs/carton
CCWP12-S	12	Flat	3.6 cm ²	0.76-1.14 mL	Yes	50pcs/carton
CCWP24-S	24	Flat	1.9 cm ²	0.38-0.57 mL	Yes	50pcs/carton
CCWP48-S	48	Flat	0.88 cm ²	0.19-0.285 mL	Yes	50pcs/carton
CCWP96-S	96	Flat	0.32 cm ²	0.1-0.2 mL	Yes	65pcs/carton



D. Finetech[®] Cell Culture Flask



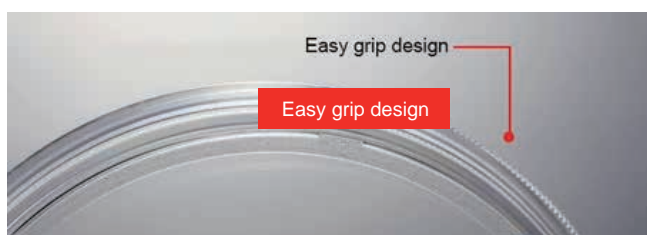
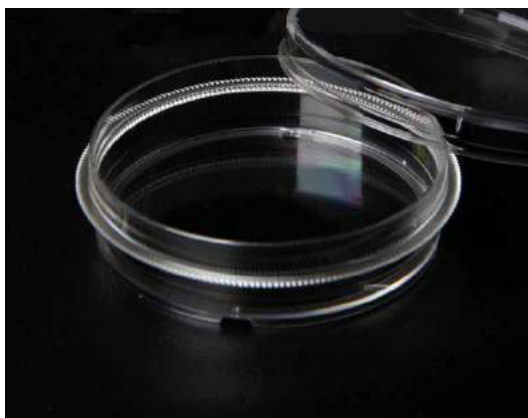
❖ Features

- Manufactured from virgin Polystyrene.
- Tissue culture treated surface to aid in cell attachment.
- Walls have even thickness and no distortion.
- Wide design increases stability when stacked.
- Quick opening cap.
- Angled bottleneck, convenient for pipettes and cell scraping.
- Frosted write-on spot.
- Clear graduation scale.
- Stack-able to save space.
- E-Beam sterilization.

❖ Ordering Information

Model No.	Volume	Recommended Volume	Cell Growth Area	Cap	Sterile	Packaging
CCF25SC-S	50 mL	5-7.5 mL	25 cm ²	Sealed	Yes	12pcs/pack 300pcs/case
CCF75SC-S	250 mL	15-22.5 mL	75 cm ²	Sealed	Yes	5pcs/pack 90pcs/case
CCF175SC-S	750 mL	35-52.5 mL	175 cm ²	Sealed	Yes	5pcs/pack 50pcs/case
CCF25FC-S	50 mL	5-7.5 mL	25 cm ²	Vent	Yes	12pcs/pack 300pcs/case
CCF75FC-S	250 mL	15-22.5 mL	75 cm ²	Vent	Yes	5pcs/pack 90pcs/case
CCF175FC-S	750 mL	35-52.5 mL	175 cm ²	Vent	Yes	5pcs/pack 50pcs/case

E. Finetech[®] Cell Culture Dish



❖ Features

- Tissue culture treated surface to aid in cell attachment.
- Flat and with even thickness. Allowing distortion-free observation.
- Easy to grip sides.
- E-Beam sterilization.
- DNase/RNase-free and non-pyrogenic.

❖ Ordering Information

Model No.	Diameter	Recommended Volume	Cell Growth Area	Sterile	Packaging
CCD35-S	35mm	1.8-2.7 mL	8.5 cm ²	Yes	20pcs/pack 500pcs/case
CCD60-S	60mm	4.2-6.3 mL	22.9 cm ²	Yes	20pcs/pack 500pcs/case
CCD100-S	100mm (Grip Design)	11-16.5 mL	57.6 cm ²	Yes	10pcs/pack 300pcs/case



F. Finetech® Sterile Centrifuge Tube

15/50ml Centrifuge Tubes



❖ Features

- These conical-bottom tubes are made of ultra-clear polypropylene.
- Cap Material: HDPE
- Sterility: EO or Gamma
- Leakproof
- Black printed graduations with large marking strip for easy labeling.
- Easy single-hand operation.
- Clear graduations provides easy volume reference.
- Available in non-sterile.

❖ Ordering Information

	15mL	50mL
Bottom Graduation Range	0.1 ~ 1 mL	-
Bottom Graduation Interval	0.1 mL	-
Graduation Range	1.5 ~ 14.5 mL	5 ~ 50 mL
Graduation Interval	0.5 mL	2.5 mL
Freezable	-80°C	-80°C
Maximum RCF	21,800 xg	14,000 xg
Maximum RPM	15,000 rpm	12,000 rpm

❖ Ordering Information

Model No.	Description	Packaging
ST-tube15	15 mL centrifuge tubes, Nonsterile	25pcs/pk, 500pcs/ctn
ST-tube50	50 mL centrifuge tubes, Nonsterile	25pcs/pk, 500pcs/ctn
ST-tube15-EO	15 mL centrifuge tubes, EO sterile	25pcs/pk, 500pcs/ctn
ST-tube50-EO	50 mL centrifuge tubes, EO sterile	25pcs/pk, 500pcs/ctn
ST-tube15-GA	15 mL centrifuge tubes, Gamma sterile	25pcs/pk, 500pcs/ctn
ST-tube50-GA	50 mL centrifuge tubes, Gamma sterile	25pcs/pk, 500pcs/ctn

1



Easy to read and accurate. Black printed-on and clear-molded dual graduations (15ml) provides contrast for samples of any color.

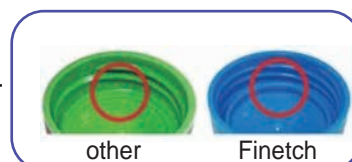
2



Molded graduations on the conical bottom for the 15ml. Providing precise measurements of small volumes.



3



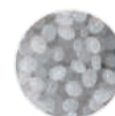
Flat caps for easy labelling and deeper plug seals for better leak resistance.

4



Large and easy-to-write-on surface for clear labeling of samples. Frosted surface (15ml) allows viewing of the sample.

5



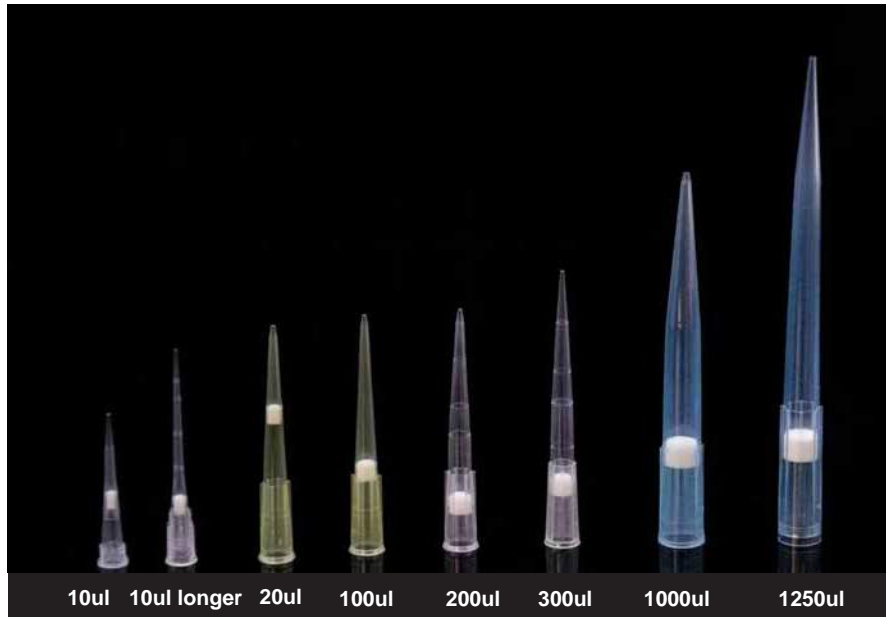
Caps: HDPE
TUBE: PP

- Fully recyclable and environmentally-friendly
- Made of virgin medical grade PP for the highest quality and lowest extractables.

- Rated at maximum RCF of 21,800 xg (15ml) and 14,000 xg (50ml).
- Freezable to -80C.
- DNase/RNase free and non-pyrogenic.



G. Finetech[®] Pipette Filter Tips



❖ Features

- Made of highly transparent PP material.
- Non-pyrogenic and with low adhesion.
- Compatible with Finetech, Eppendorf, Brand, Gilson, Thermo/Finn, and other brands pipette.
- High quality tip with smooth inner walls reduces sample residual.
- Racked sterile filter tips also available.
- Free of DNase, RNase, DNA, Endotoxin.

❖ Racked pipette tips with filter



❖ Ordering Information

Model No.	Description	Packaging
Tip-S10F-R	10ul Sterile filter pipette tips, Clear, Racked	96/pk,4800/cs
Tip-S10FL-R	10ul Sterile filter pipette tips, Low Retention, Clear, Racked	96/pk,4800/cs
Tip-S10FE-R	10ul Sterile Extended Long pipette tips, Clear, Racked	96/pk,4800/cs
Tip-S10FEL-R	10ul Sterile Extended Long pipette tips, Low Retention, Clear, Racked	96/pk,4800/cs
Tip-S200F-R	200ul Sterile filter pipette tips, Clear, Racked	96/pk,4800/cs
Tip-S200FL-R	200ul Sterile filter pipette tips, Low Retention, Clear, Racked,	96/pk,4800/cs
Tip-S300F-R	300ul Sterile filter pipette tips, Clear, Racked	96/pk,4800/cs
Tip-S300FL-R	300ul Sterile filter pipette tips, Low Retention, Clear, Racked,	96/pk,4800/cs
Tip-S1000F-R	1000ul Sterile filter pipette tips, blue, Racked	96/pk,4800/cs
Tip-S1000FL-R	1000ul Sterile filter pipette tips, Low Retention, Clear, Racked	96/pk,4800/cs
Tip-S1250F-R	1250ul Sterile filter pipette tips, blue, Racked	96/pk,4800/cs
Tip-S1250FL-R	1250ul Sterile filter pipette tips, Low Retention, Clear, Racked	96/pk,4800/cs

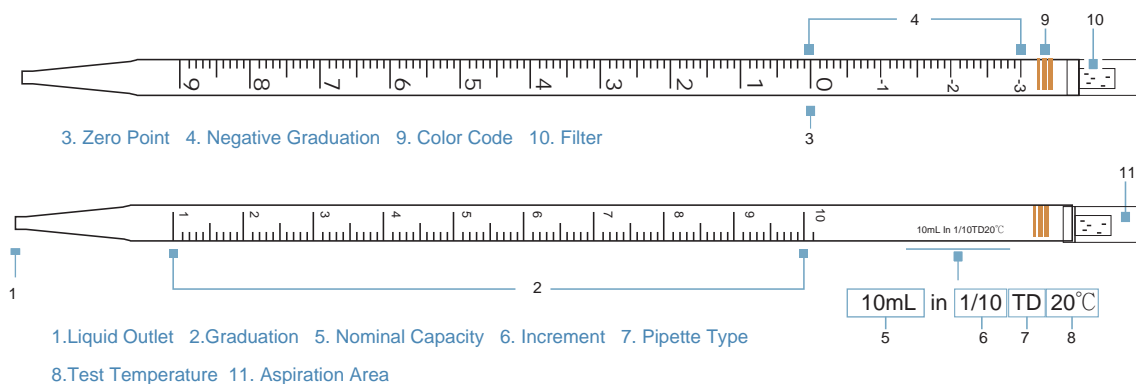
H. Finetech[®] Sterile Serological Pipette



- Capacity: 1 mL-50 mL
- Sterilization: E-Beam
- Packaging: Individually packed

❖ Features

- made of imported general purpose polystyrene (GPPS) in clean room environment.
- Available in six capacity: 1.0 ml, 2.0 ml, 5.0 ml, 10.0 ml, 25.0 ml, 50.0 ml. Graduations are calibrated within $\pm 2\%$.
- 1.0 ml, 2.0 ml, 5.0 ml pipettes are shaped by stretching method.
- 5.0 ml, 10.0 ml, 25.0 ml, 50.0 ml pipettes tips are welded to the tube by supersonic wave.
- Smooth and clean without draw lines.
- Different colors correspond to different specification, making it easy to distinguish.
- Maximum reduction of liquid adhesion to the tube inner wall, which improve the sampling accuracy.
- Excellent double-side graduation design ideally meet with the demand for liquid adding or reducing.
- Clear and simple graduation, as well as the negative one for extra volume, makes the liquid drawing and reading easier.
- All serological pipettes are assembled with high quality filters.
- Available sterile or non-sterile .
- Non-pyrogenic and DNase/RNase-free.



❖ Ordering Information

Model No.	Description	Packaging
FT9010	Capacity: 1mL Size: Ø5×270mm Individual packs and E-Beam sterilization	300pcs/box ,1800pcs/CTN
FT9020	Capacity: 2mL Size: Ø6×280mm Individual packs and E-Beam sterilization	
FT9050	Capacity: 5mL Size: Ø8×345mm Individual packs and E-Beam sterilization	200pcs/box 1200pcs/CTN
FT9100	Capacity: 10mL Size: Ø10×345mm Individual packs and E-Beam sterilization	
FT9250	Capacity: 25mL Size: Ø15×345mm Individual packs and E-Beam sterilization	100pcs/box 600pcs/CTN
FT9500	Capacity: 50mL Size: Ø18×345mm Individual packs and E-Beam sterilization	75pcs/box 450pcs/CTN



FINETECH RESEARCH & INNOVATION CORP.



website

Company Profile

- Since 1999, Finetech Research and Innovation Corporation has been manufacturing and supplying laboratory consumables to various types of labs all over the world. With exports to over 40 countries, Finetech has become one of the leading provider for environmental, pharmaceutical, biological, and other testing laboratories
- Finetech began with the research & development and manufacturing of syringe filters and other filtration products. In keeping with our core principle of innovation, Finetech has expanded their product line to include lab equipment and other supplies to meet the needs of their customers.
- Finetech follows the principles of quality over quantity and good services for all.

The importance of quality can be seen in the use of quality imported materials and equipment, the use of a cleanroom, and the strict quality control standards.



Contact us

FINETECH RESEARCH & INNOVATION CORP

- Sample vials
- Glass fiber filters
- Biochemical supplies
- Syringe filters
- Air filters



✉ sales@finetech-filters.com ☎ +886-977-216-648
line/whatsapp: +886-977-216-648 (Patrick)